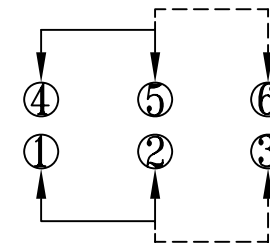
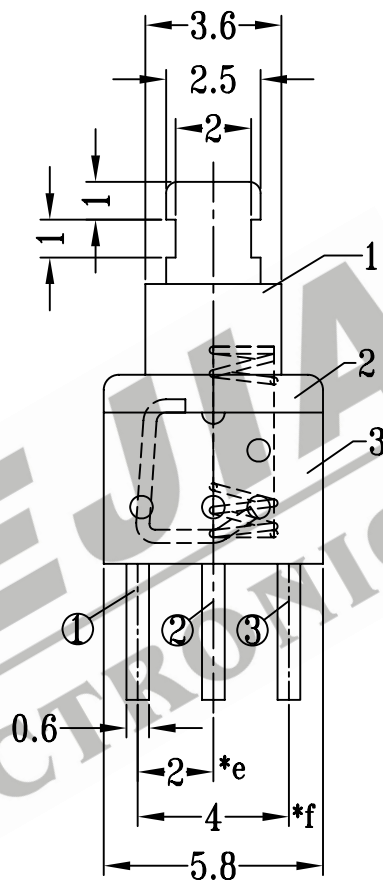
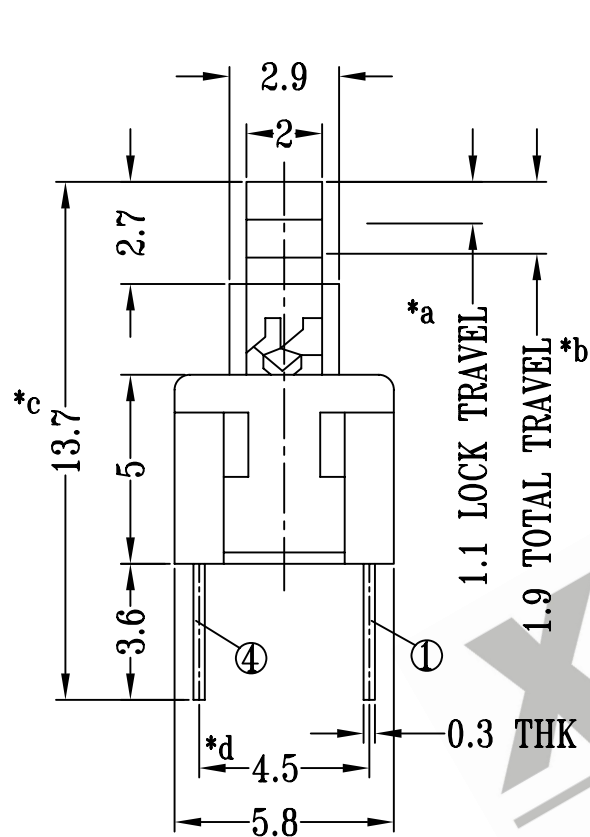
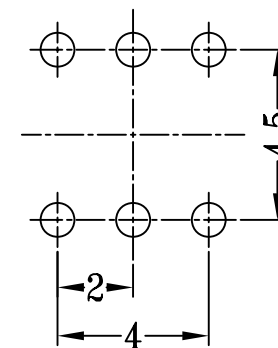


CAD FILE:



SCHEMATIC(NON-SHORTING)



P.C.B LAYOUT

注：“*”表示关键尺寸（6个）

8					TOLERANCE	SHENZHEN XIEJIA ELECTRONICS CO.,LTD.					
7					UNLESS SPECIFIED						
6					WITHIN: 1.5±0.1mm						
5	CAM STICK	SUS	1	WASHING	OVER : 1.5±0.2mm	ISSUE	DATE	DESCRIPTIONS		APPD.	
4	SPRING	SUS	1	TEMPER		TITLE : VERTICAL PUSH SWITCH		UNIT : MM	DRWG NO.: XJ-DR-PB22E60-00		
3	CASE	PBT/BRASS STRIP	1	GREY OR BLACK/Ag PLATED OVER Ni PLATED		MODEL: PB-22E60		SCALE: 5 : 1	DWN.	ZHOUYU	2006-9-26
2	COVER	POM	1	BLACK					CHK'D	FANGYING	2006-9-26
1	KNOB	POM/PBS	1	WHITE/Ag CLAD		ALL MATERIALS MUST BE COMPLIANT TO ROHS			APPD.	KANGXINAN	2006-9-26
NO.	PART NAME	MATERIAL	Q'TY	FINISHING							